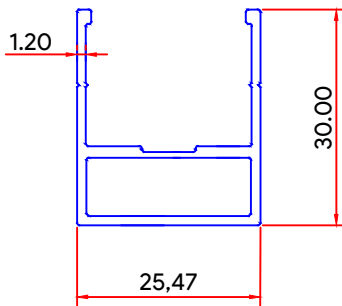




## ZALI SECTION

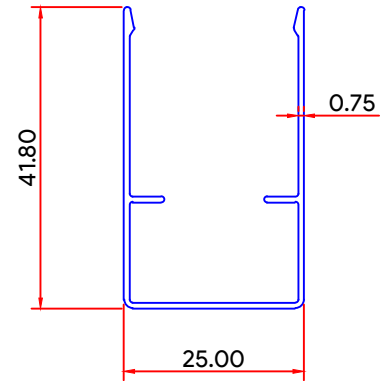
## ARCHITECTURAL

SEC. NO. : 7369



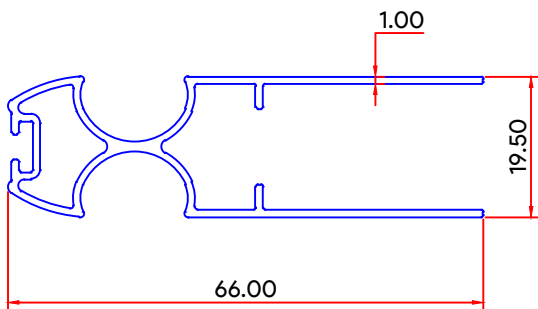
WEIGHT. : 1.360 KG/ 12'

SEC. NO. : 7430



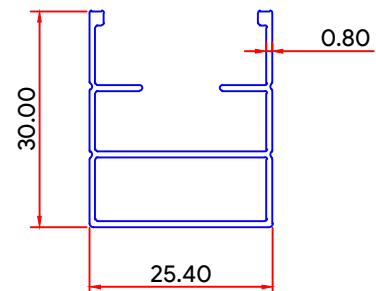
WEIGHT. : 0.935 KG / 12'

SEC. NO. : 7370



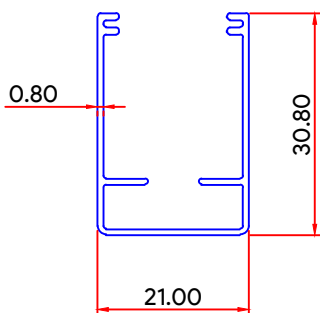
WEIGHT. : 1.830 KG/ 12'

SEC. NO. : 7336



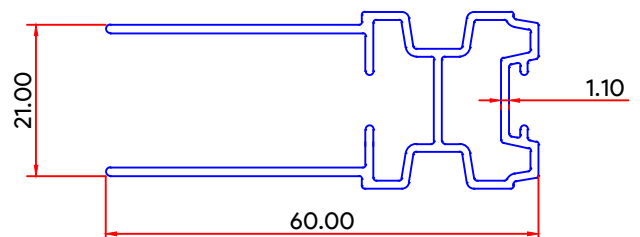
WEIGHT. : 0.992 KG/ 12'

SEC. NO. : 7484



WEIGHT. : 0.818 KG/ 12'

SEC. NO. : 7300



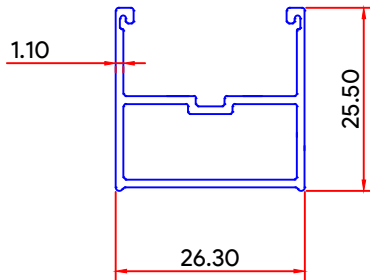
WEIGHT. : 2.190 KG/ 12'



## ZALI SECTION

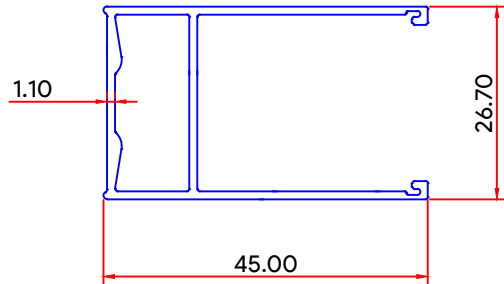
## ARCHITECTURAL

SEC. NO. : 7299



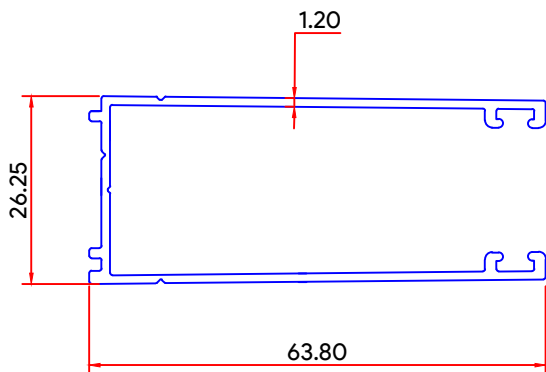
WEIGHT. : 1.140 KG / 12'

SEC. NO. : 7298



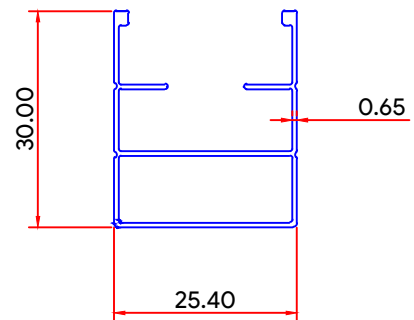
WEIGHT. : 1.620 KG / 12'

SEC. NO. : 7592



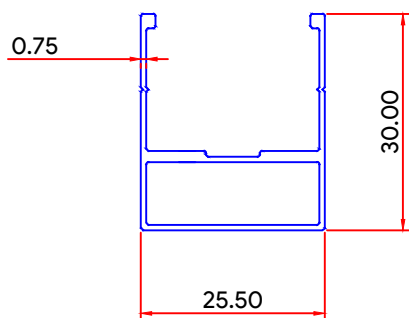
WEIGHT. : 2.020 KG / 12'

SEC. NO. : 7612



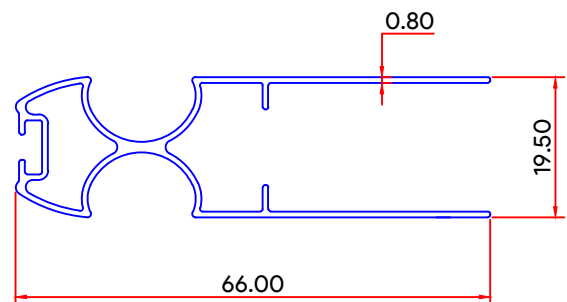
WEIGHT. : 1.100 KG / 16'

SEC. NO. : 7613



WEIGHT. : 1.309 KG / 16'

SEC. NO. : 7614



WEIGHT. : 2.020 KG / 16'



# JHALANI EXTRUSION

(A UNIT OF P.R.C.M. METAL)

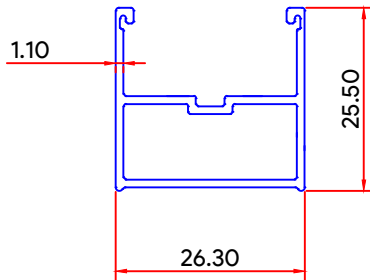
C-36, Riico Industrial Area, Neemrana, District : Alwar, (Raj.) 301705

Contact : 9716031516, 09953239231 E-Mail : jhalaniextrusion@yahoo.com

## ZALI SECTION

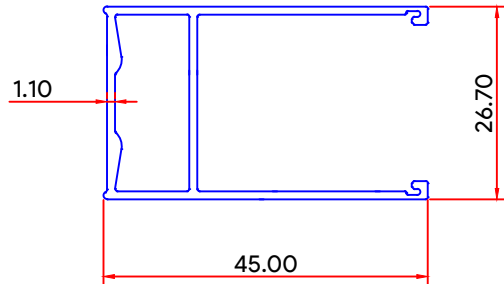
## ARCHITECTURAL

SEC. NO. : 7299



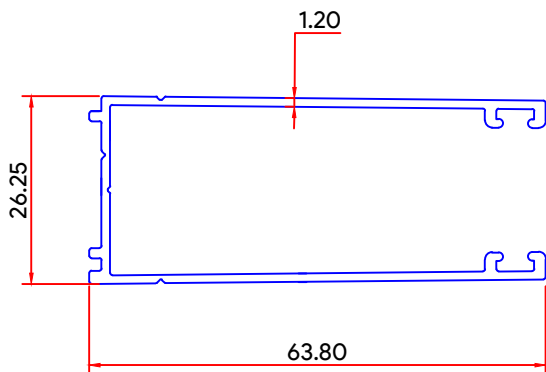
WEIGHT. : 1.140 KG / 12'

SEC. NO. : 7298



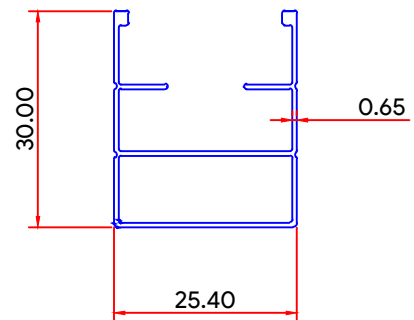
WEIGHT. : 1.620 KG / 12'

SEC. NO. : 7592



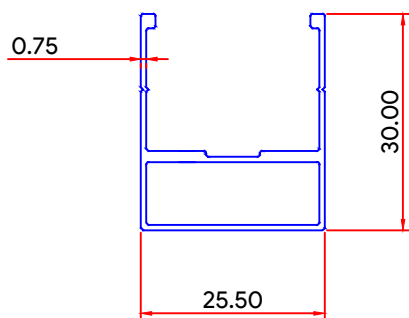
WEIGHT. : 2.020 KG / 12'

SEC. NO. : 7612



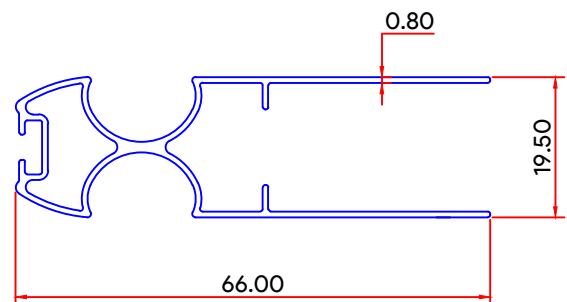
WEIGHT. : 1.100 KG / 16'

SEC. NO. : 7613



WEIGHT. : 1.309 KG / 16'

SEC. NO. : 7614



WEIGHT. : 2.020 KG / 16'