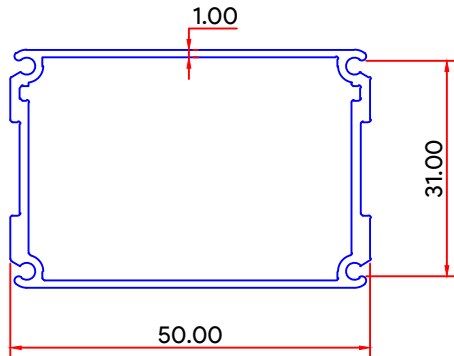




MISC. PROFILES

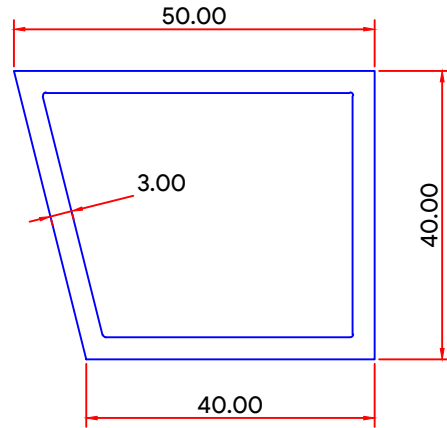
ARCHITECTURAL

SEC. NO. : 7598



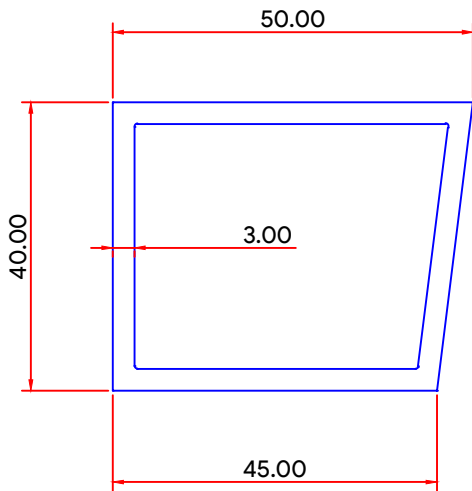
WEIGHT. : 2.095 KG/ 12'

SEC. NO. : 8597



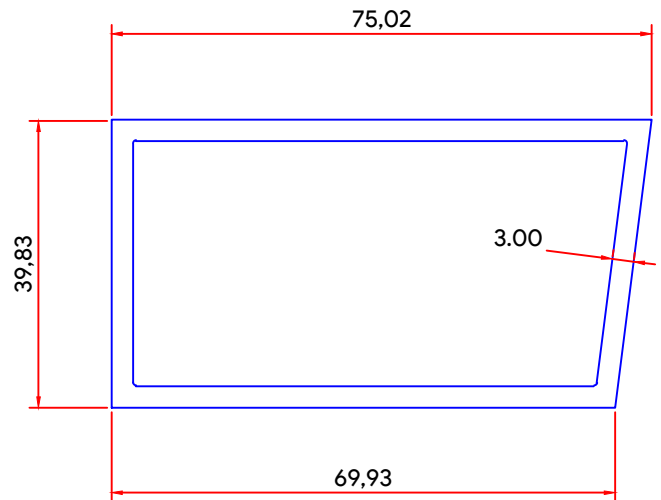
SEC. NO. : 4.716 KG / 12'

SEC. NO. : 8598



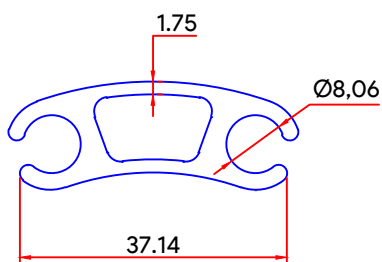
WEIGHT. : 4.841 KG/ 12'

SEC. NO. : 8599



WEIGHT. : 6.322 KG/ 12'

SEC. NO. : NS-47



WEIGHT. : 3.328 KG/ 12'