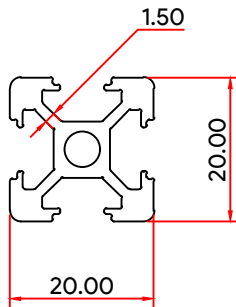




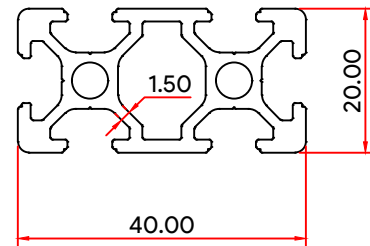
CONVEYOR SECTION

SEC. NO. : CNYR-001



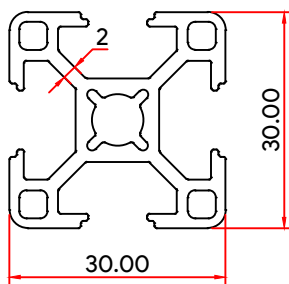
WEIGHT. : 1.625 KG / 12'

SEC. NO. : CNYR-002



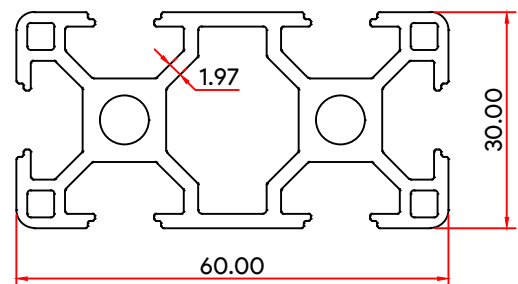
WEIGHT. : 2.820 KG / 12'

SEC. NO. : CNYR-003



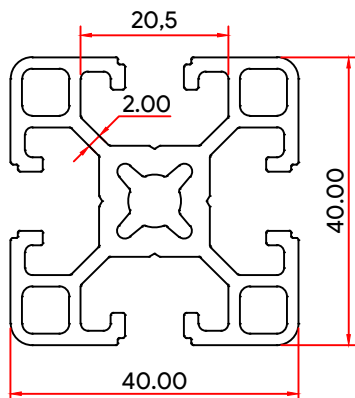
WEIGHT. : 2.920 KG / 12'

SEC. NO. : CNYR-004



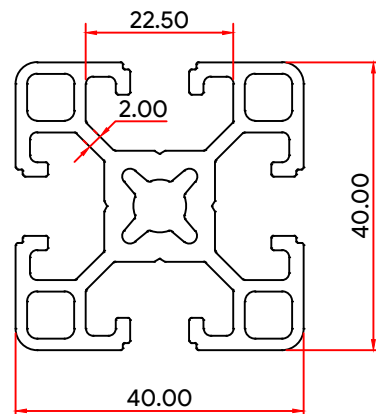
WEIGHT. : 5.610 KG / 12'

SEC. NO. : CNYR-005



WEIGHT. : 5.368 KG / 12'

SEC. NO. : CNYR-006

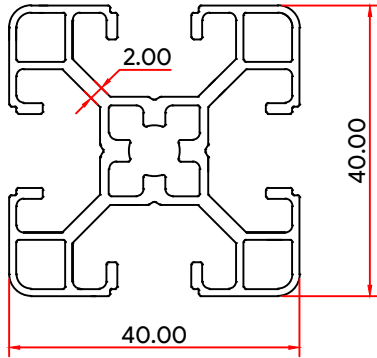


WEIGHT. : 5.110 KG / 12'



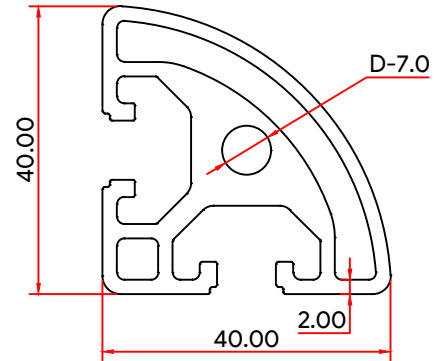
CONVEYOR SECTION

SEC. NO. : CNYR-007



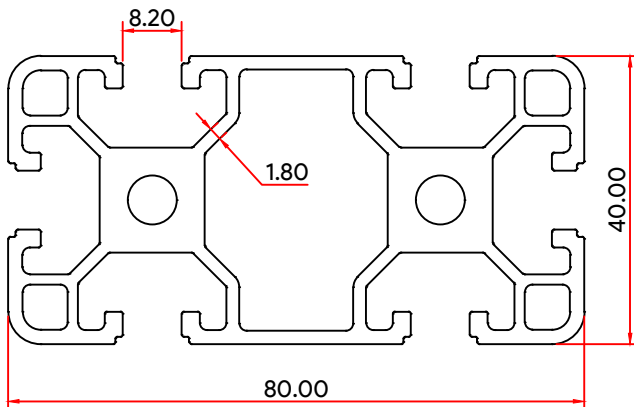
WEIGHT. : 3.540 KG / 12'

SEC. NO. : CNYR-008



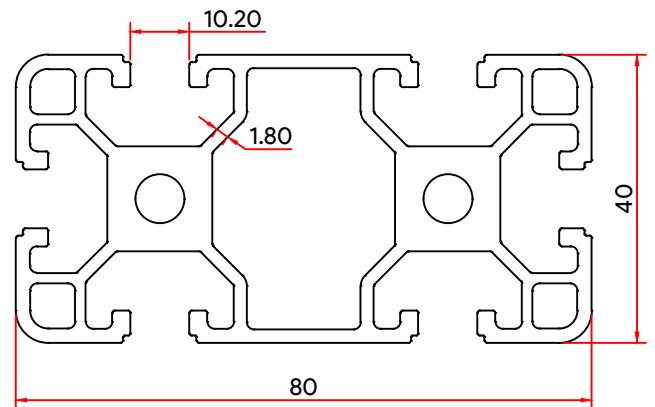
WEIGHT. : 5.200 KG / 12'

SEC. NO. : CNYR-009



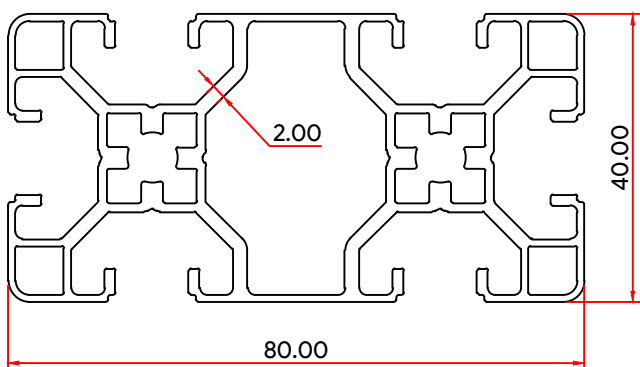
WEIGHT. : 9.685 KG / 12'

SEC. NO. : CNYR-010



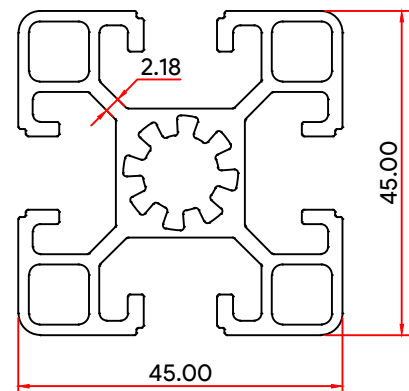
WEIGHT. : 9.620 KG / 12'

SEC. NO. : CNYR-011



WEIGHT. : 6.400 KG / 12'

SEC. NO. : CNYR-012

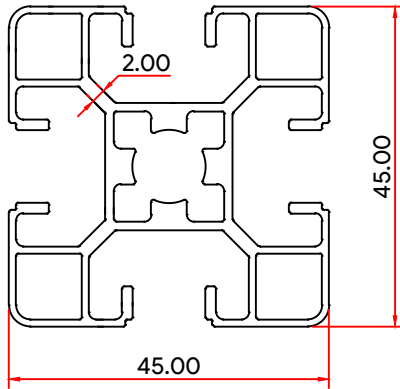


WEIGHT. : 5.890 KG / 12'



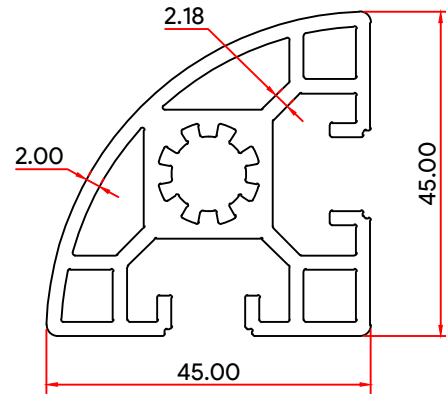
CONVEYOR SECTION

SEC. NO. : CNYR-013



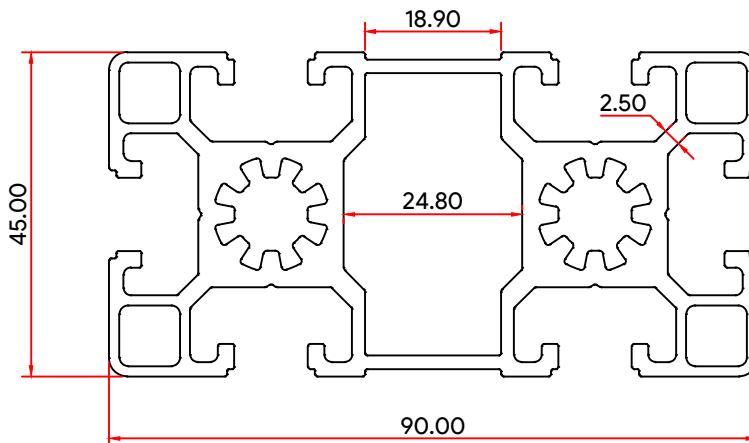
WEIGHT. : 4.265 KG / 12'

SEC. NO. : CNYR-014



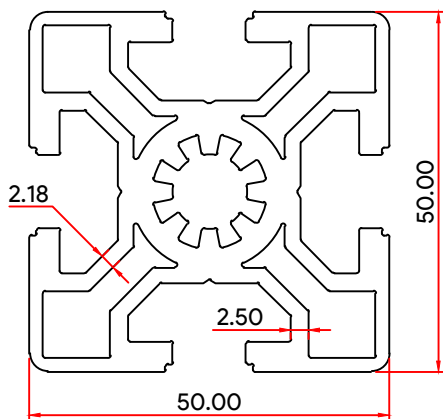
WEIGHT. : 6.035 KG / 12'

SEC. NO. : CNYR-015



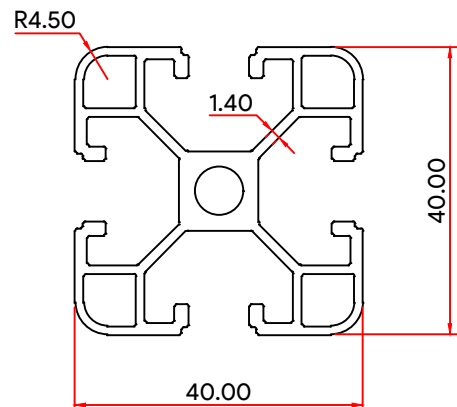
WEIGHT. : 11.650 KG / 12'

SEC. NO. : CNYR-016



WEIGHT. : 9.880 KG / 12'

SEC. NO. : CNYR-017

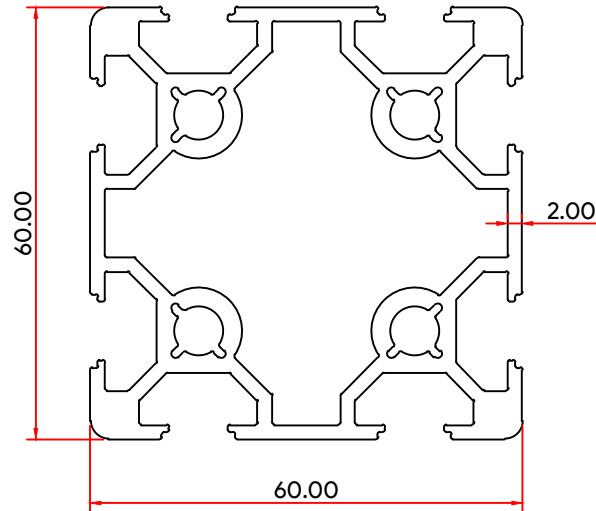


WEIGHT. : 3.920 KG / 12'



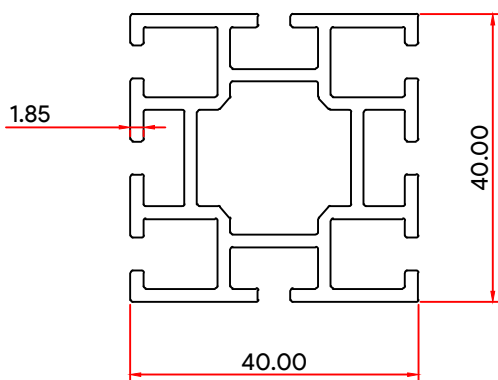
CONVEYOR SECTION

SEC. NO. : CNYR-018



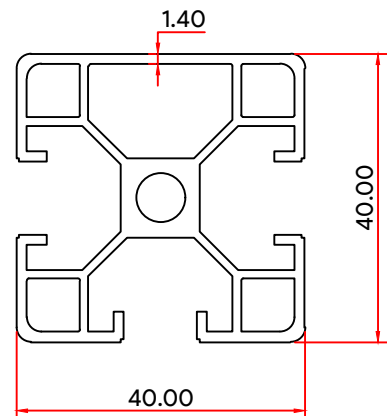
WEIGHT. : 9.130 KG / 12'

SEC. NO. : CNYR-019



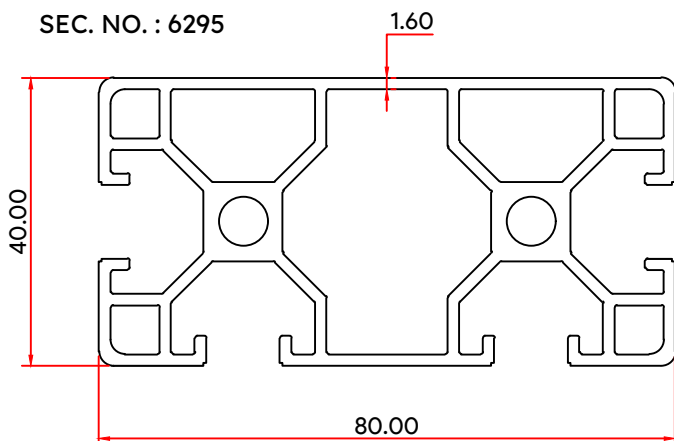
WEIGHT. : 4.459 KG / 12'

SEC. NO. : 7609



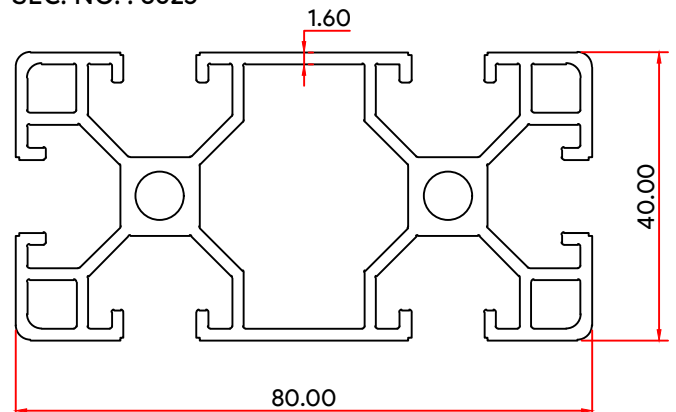
WEIGHT. : 3.863 KG / 12'

SEC. NO. : 6295



WEIGHT. : 7.500 KG / 12'

SEC. NO. : 8625



WEIGHT. : 7.335 KG / 12'